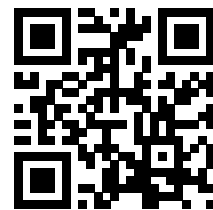


TILT ADAPTER

<http://tiny.cc/tiltadapter>



FEATURES & BENEFITS

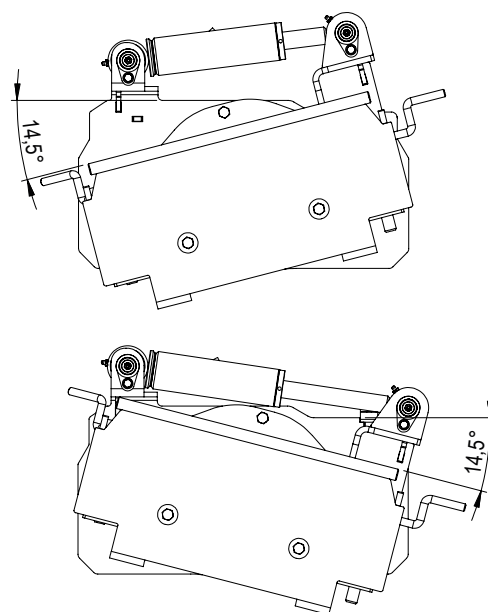
- Makes it possible to tilt the attachment sideways and e.g. grade the ground with a bucket or leveller, or load pallets on uneven ground with pallet fork
- Mounts between the attachment and the quick attach plate of the loader

MultiOne tilt adapter is mounted between the attachment and the loader's attachment coupling plate. With it the attachment can be tilted sideways, and makes it possible to:

- Make different forms to the ground with a bucket or leveller
- Keep pallet fork level when you are driving on surfaces with gradient
- Load pallets that are on uneven ground
- Level ground on uneven surfaces

Tilt adapter with max. 14,5 degree tilting in both directions. It is ideal for buckets, leveller and pallet fork – for jobs where tilting is a must but the tilting angle doesn't have to be big

The tilt adapter is intended mainly for nonhydraulically operated attachments, but with the optional second auxiliary hydraulics outlet in the front it is possible to mount also hydraulically driven attachments like a 4 in 1 bucket, pallet fork with hydraulic fork adjustment, grabbing tool, artificial turf attachment and rock drill at the same time.



Model	Max tilt	Max Load*	Length	Weight	Code
Tilt adapter	+/- 14.5°	500 kg (1102 lbs)	14 cm (5.5 in)	52 kg (115 lbs)	C890190

(*) verify the lifting capacity of the machine

Compatibility	1.1	2.3	4.2	5.2	5.3	6.3	7.2	8.4	8.5	11.6	11.9	EZ5	EZ7 EZ8
	Very compatible				Compatible				Not compatible				

