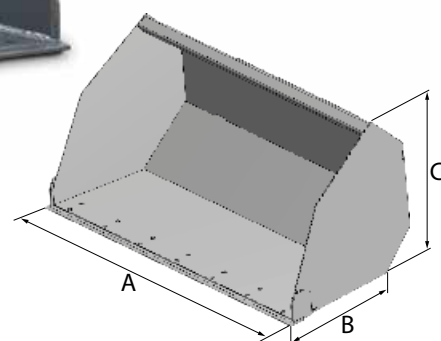
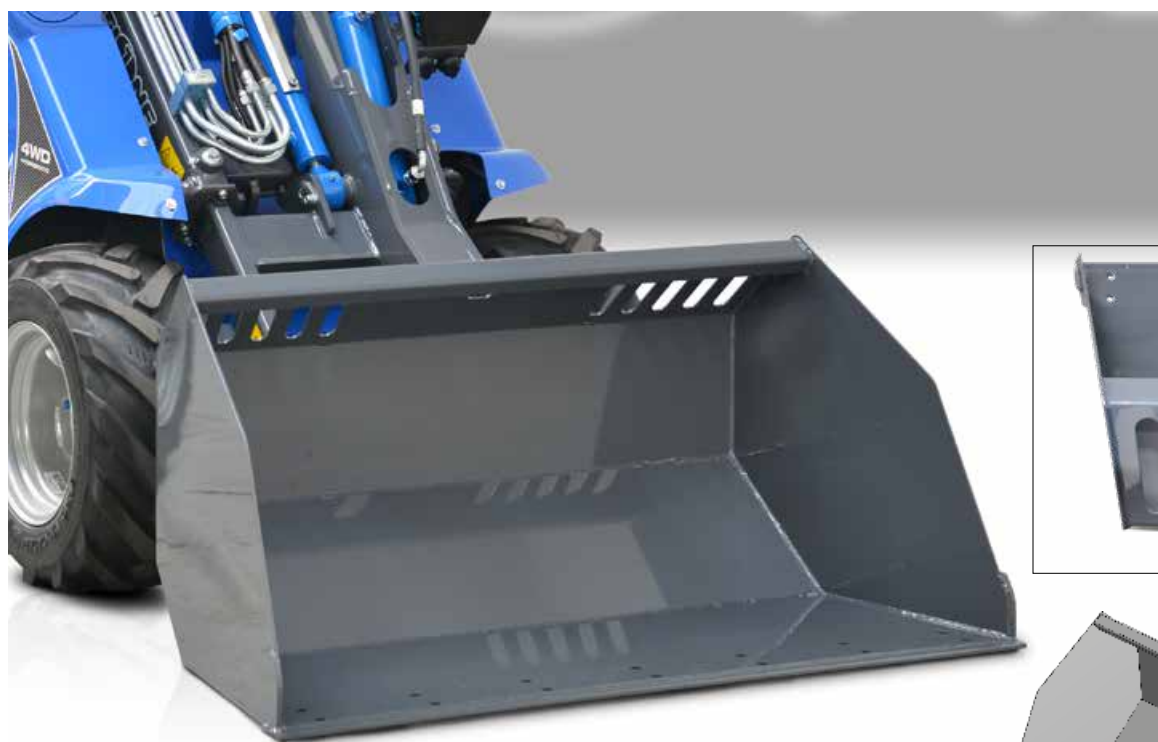
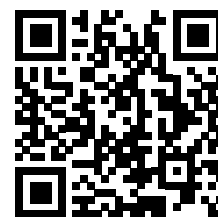


# NEW GENERAL BUCKET

<http://tiny.cc/newgeneralbucket>



## FEATURES & BENEFITS

- New efficient design increases volume and visibility
- Bolt-on Teeth and Cutting edge available
- Heavy duty (HD) models available for hard works

The new design of the MultiOne bucket increases the volume and enables good visibility. The inside of the bucket is completely plain and the sides open forward in slight angle which guarantees easy and complete filling and emptying of all kinds of materials. There are narrow holes at the upper end of the bucket which improve visibility and prevent stones from falling towards the operator. The special design allows to stack the buckets one inside the other saving storage space (until 6 on a pallet). Available with cutting edge and teeth.

Model	Volume*	Width (A)	Length (B)	Height (C)	Weight	Teeth	Code
100	205 l (7.2 ft <sup>3</sup> )	100 cm (39.4 in)	58 cm (22.8 in)	59 cm (23.2 in)	66 kg (146 lbs)	5	<b>C890031</b>
115	238 l (8.4 ft <sup>3</sup> )	115 cm (45.3 in)	58 cm (22.8 in)	59 cm (23.2 in)	74 kg (163 lbs)	6	<b>C890032</b>
130	272 l (9.6 ft <sup>3</sup> )	130 cm (51.2 in)	58 cm (22.8 in)	59 cm (23.2 in)	82 kg (181 lbs)	7	<b>C890033</b>
130HD	272 l (9.6 ft <sup>3</sup> )	130 cm (51.2 in)	58 cm (22.8 in)	59 cm (23.2 in)	130 kg (287 lbs)	7	<b>C890034</b>
150HD	316 l (11.2 ft <sup>3</sup> )	150 cm (59 in)	58 cm (22.8 in)	59 cm (23.2 in)	146 kg (322 lbs)	8	<b>C890035</b>
180HD	383 l (13.5 ft <sup>3</sup> )	180 cm (71 in)	58 cm (22.8 in)	59 cm (23.2 in)	170 kg (375 lbs)	10	<b>C890036</b>

(\*) verify the lifting capacity of the machine

Accessories					Weight	Code
Tooth					1,7 kg (3.7 lbs)	<b>C890007</b>

Bolt-on cutting edge	100	115	130 /130HD	150HD	180HD
Code	<b>C890037</b>	<b>C890038</b>	<b>C890039</b>	<b>C890040</b>	<b>C890041</b>

Compatibility	1.1	2.3	4.2	5.2	5.3	6.3	7.2	8.4	8.5	11.6	11.9	EZ5	EZ7 EZ8
<b>Model</b>													
100													
115													
130 / 130HD													
150HD													
180HD													

Very compatible      Compatible      Not compatible

