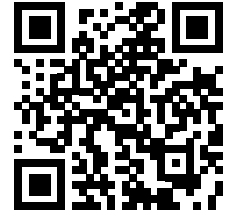


# SHOOT REMOVER

<http://tiny.cc/shootremover>

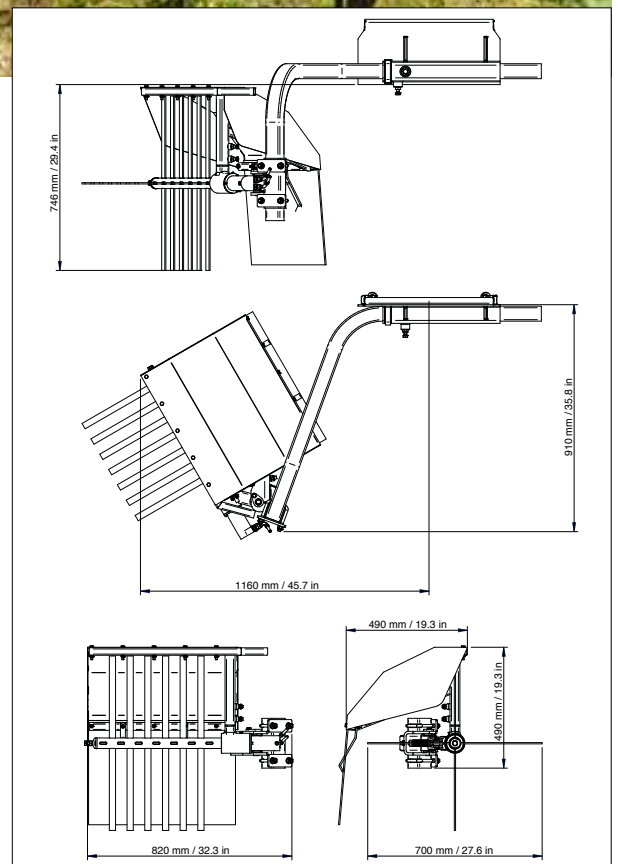


## FEATURES & BENEFITS

- Low wear cutter string
- Variable offset
- Efficient and reliable

The MultiOne shoot remover is an ideal tool for the removal of weeds and plant shoots from around trees. Hydraulically powered, it gently removes the shoots without causing tree trunk damage.

The shoot remover frame can be offset to the right to allow for variable working conditions. Replacement of the long lasting rubber strings is quick and easy.



Model	Rotor Length	Offset Max	Weight	Code	Price
Shoot Remover	82 cm (32.3 in)	25 cm (9.8 in)	50 kg (110 lbs)	<b>C890436</b>	

Compatibility	1.1 M1.4	2.3 M1-M2	S520 S525	4.2 5.2	5.3 7.2	6.3	7.3	8.4	9.5 G1980	9.6 G1980	10.8 10.9	6.3SD	7.3SD 8.4SD	9.5SD
												Very compatible	Compatible	Not compatible



Copyright © 2017 by MultiOne Srl. All rights reserved. No part of this publication may be reproduced, distributed, or transmitted in any form or by any means. The information and images in this document are provided for illustrative purposes only and do not bind the manufacturer, who reserves the right to make modifications at any time without prior warning.